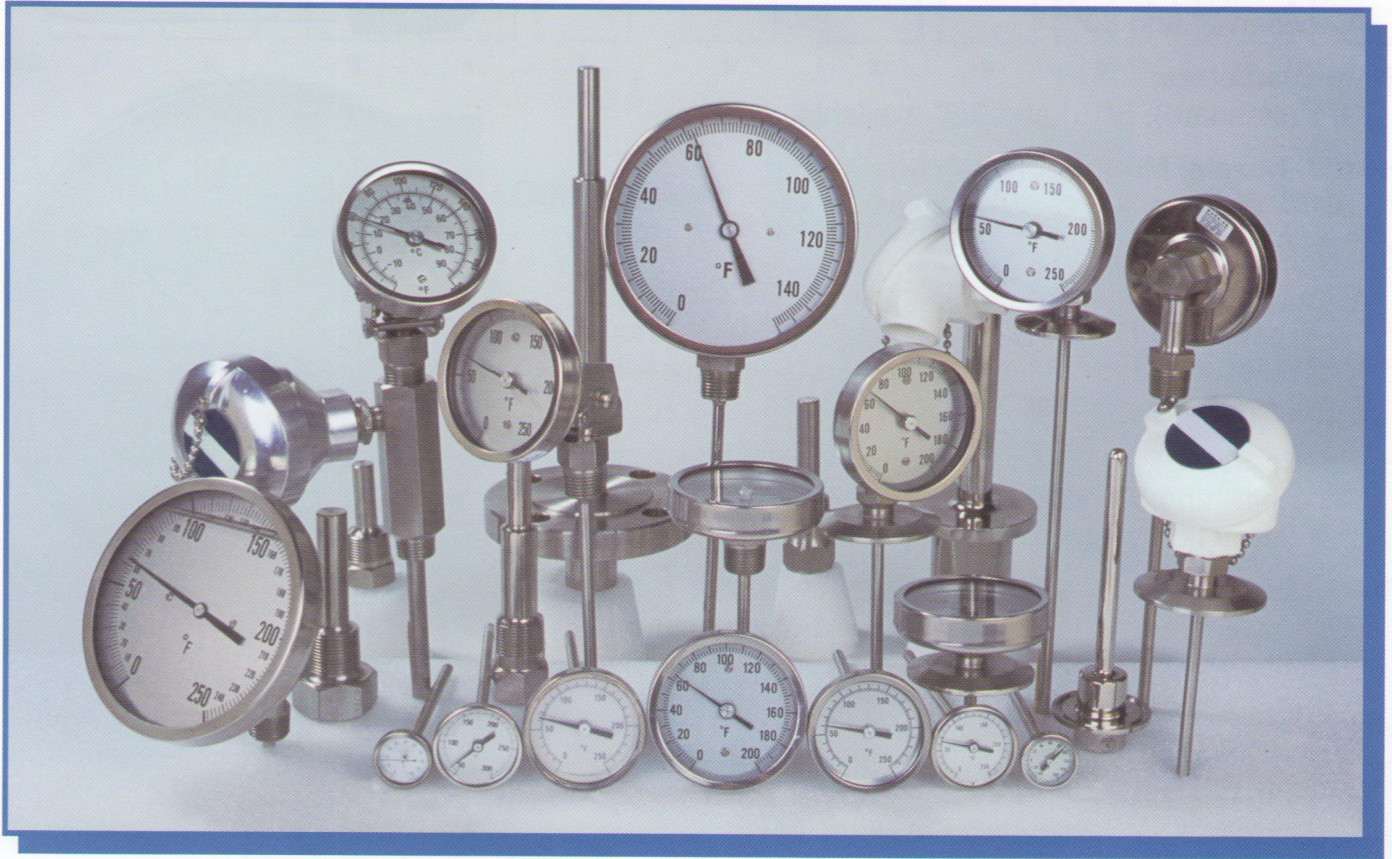
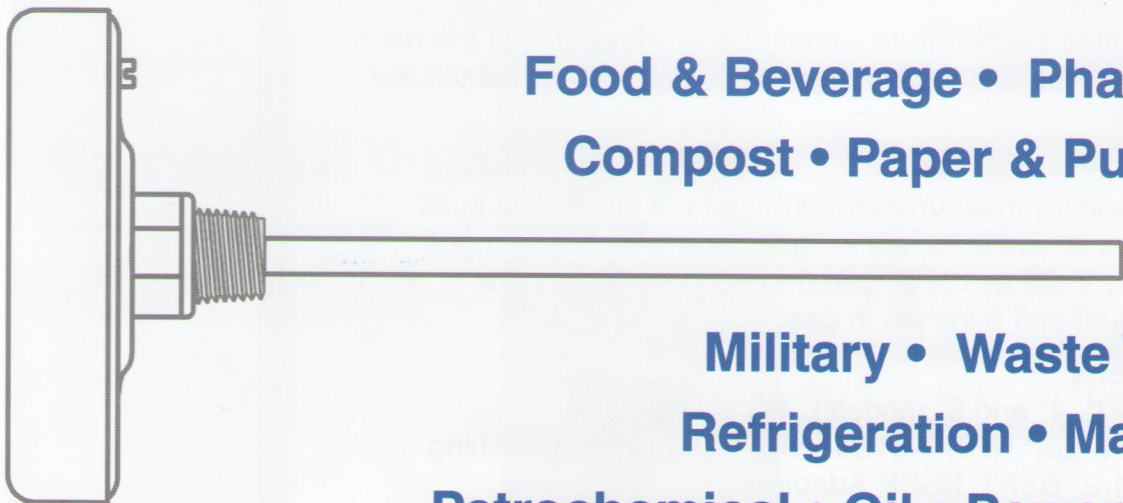


BIMETAL THERMOMETERS



Dial into a Quality Bimetal Thermometer



**Food & Beverage • Pharmaceutical
Compost • Paper & Pulp • Utilities
Military • Waste Water • Gas
Refrigeration • Marine • Dairy
Petrochemical • Oil • Power Generation**

Bimetal Dial Thermometers Specifications

Dial Sizes:

1 1/8", 1 3/4", 2 3/8", 3", 4", 5"

Stem Diameters:

Between 2" and 80"

Stem Diameters:

1/4"(standard), 5/16" and 3/8" available.

Heads, Bezels, Mounting Bushing, Stems:

All models are 300 series stainless steel

Operating Conditions:

The temperature of the head should not be allowed to exceed 200°F (150°F if silicone filled). Stems should not be exposed to continuous temperatures exceeding 50% over-range, or 800°F.

Hermetic Seal:

All 3", 4", and 5" models (except DM4) are hermetically sealed per ASME B40.3.

Pointed Stems:

Optional on all models. Excellent for probing asphalt, compost, soil, frozenfoods or other semi-solid materials.

Dials:

Anodized aluminum. Black markings and numbers with satin matte finish background.

Crystals:

Standard: Optically clear strong glass.
Optional: Unbreakable clear plastic, All models (Not recommended for ranges over 500°F).
Optional: "Shatterproof" tempered glass (3", 4" and 5" models).

Accuracy:

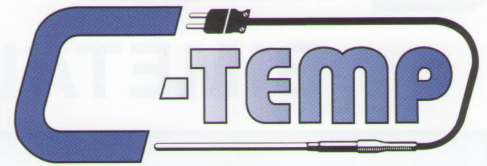
Models are guaranteed accurate to within plus or minus 1% of the full scale (Grade A per ASME B40.3). Temperature readings are stabilized within 40 seconds.

Immersion:

For correct temperature measurement, the stem of all models in all ranges must be immersed 2 inches in liquid, and 4 inches in a gas except for 0 to 100°F, 25 to 125°F, and 0 to 50°C which require 3 1/2 inches in liquid and 5 inches in gas.

Mounting Connections:

1/2" NPT (std. on 3", 4" and 5" models), 1/8" NPT, 1/4" NPT, 3/8" NPT, 3/4" NPT, 3/8"-24" NF, Plain or Reset Bushing, 1/2" NPT Union, 1/2" BSPT, BSPP Adapters.



714-530-8451 • 800-282-8367 • Fax 714-530-3350

www.c-temp.com • sales@c-temp.com

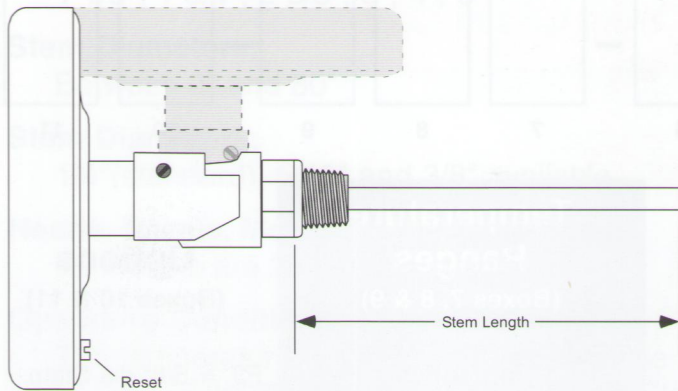
Ordering Bimetal Dial Thermometers

To order: Fill in the boxes from the table below.

		-				-				-		
Box 1	2		3	4	5		6	7	8	9	10	11

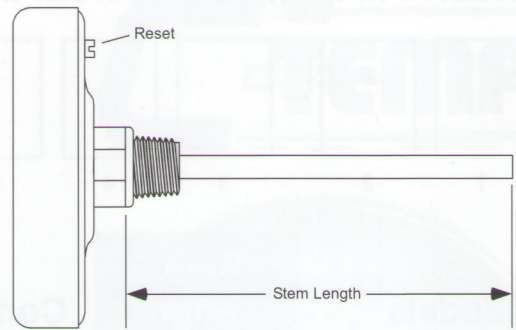
Models (Boxes 1 & 2)	Stem Length (Boxes 3, 4 & 5)	Connection (Box 6)	Temperature Ranges (Boxes 7, 8 & 9)	Options (Boxes 10 & 11)
Back Connected <i>with reset</i> AA = 3" Dial CC = 4" Dial BB = 5" Dial <i>without reset</i> RR = 3" Dial CN = 4" Dial SS = 5" Dial Adjustable Angle <i>with reset</i> LL = 3" Dial MM = 4" Dial JJ = 5" Dial Bottom Connected <i>with reset</i> XR = 3" Dial YY = 4" Dial VR = 5" Dial <i>without reset</i> XX = 3" Dial YN = 4" Dial VV = 5" Dial	025 = 2.5" 040 = 4" 060 = 6" 090 = 9" 120 = 12" 150 = 15" 180 = 18" 240 = 24" 300 = 30" 360 = 36"	1 = 1/2" npt 4 = 1/4" npt 5 = 3/4" npt adapter 7 = 3/8" npt X = Plain hex bushing (no thread) B = 1/2" bspt (British Std Pipe Thread) C = 1-1/2 Tri-Clamp L = 2" Tri-Clamp M = 3/4" Tri-Clamp <i>Additional mountings available upon request</i>	<p style="text-align: center;">Fahrenheit</p> F23 = -40 to +160°F F55 = +25 to +125°F F43 = 0 to +200°F F47 = 0 to +250°F F63 = +50 to +300°F F67 = +50 to +500°F F81 = +150 to +750°F F85 = +200 to +1000°F <p style="text-align: center;">Celsius</p> C23 = -40 to +70°C C55 = 0 to +50°C C43 = 0 to +100°C C47 = -20 to +120°C C59 = 0 to +150°C C67 = 0 to +250°C C81 = 0 to +400°C C85 = +100 to +500°C <p style="text-align: center;">Dual Ranges</p> D23 = -40 to +160°F -40 to +70°C D55 = +25 to +125°F 0 to +50°C D43 = 0 to +250°F -20 to +120°C D63 = +50 to +300°F +10 to +150°C D67 = +50 to +500°F 0 to +250°C D81 = +150 to +750°F 0 to +400°C D85 = +200 to +1000°F +100 to +500°C <i>Consult Sales Dept. for additional ranges</i>	F3 = 3/8" dia Stem F5 = 5/16" dia Stem SS = 316 SS Stem PS = Pointed Stem PC = Acrylic Window PY = Polycarbonate Window TG = Tempered Glass Window SF = Silicone Fill (max temp 550°F) MM = Max/Min Pointer

Bimetal Dial Thermometers Illustrated



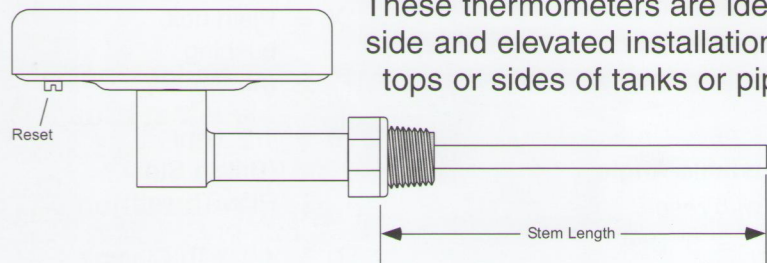
Adjustable Angle:

The All-Angle thermometer allows for easy temperature monitoring from any position and features a 360° Case Rotation.



Back Connected:

Our Thermometers are ideal for local, eye-level temperature readings in most process applications.



Bottom Connected:

These thermometers are ideal for side and elevated installations on tops or sides of tanks or pipes.

Standard features on the shown Bimetal Thermometers:

All Stainless Steel Construction, Hermetically Sealed ASME B40.3,
Accurate to 1% of Full Scale, Standard External Reset, Silicone Fillable for Vibration

Other products available at C-Temp

Thermocouples
Resistance Temperature
Detectors (RTD)
Thermowells
Temperature Transmitters
Laboratory Hand Held

Dual Bimetal
(Thermometer
and Thermocouple)
Thermocouple Wire
and Accessories
Pressure Gauges
Diaphragm Seals

Pressure Transmitters
Pocket Style Bimetals
Sanitary Styles
Gas and Liquid Filled
Surface (magnetic) Mounted

NIST Calibration Available

1285 Jefferson Street, Anaheim, CA 92807
714-630-8451 • 800-282-8367 • Fax 714-630-3560
www.c-temp.com • sensors@c-temp.com