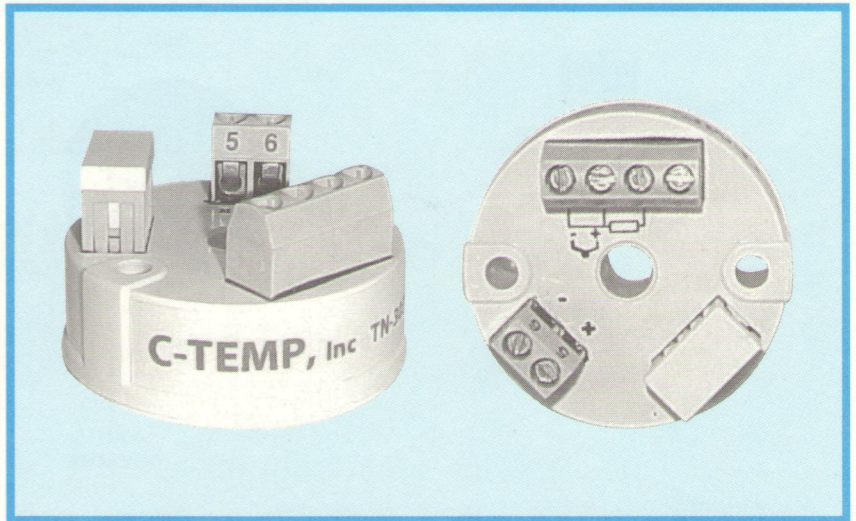


Universal Thermocouple and RTD In-Head Transmitter

Actual size

The TN-303 is a universal and intelligent 2 wire in head transmitter for temperature measurement applications.

The combination of competitive pricing, functionality and simple configuration has made the TN-303 the leader of in-head transmitters for industrial temperature measurements.



Performance and Design:

Excellent stability

Long-term stability 0.1% per year.

NAMUR-compliant

Output limitations and fail currents according to NAMUR recommendations.

High load capacity

Only 8 V voltage drop over the transmitter allows for high loads.

Designed for harsh conditions

Operation temperature -40 to +185 F (-40 to +85 C).

Excellent EMC performance.

Durable, shockproof design.

Simple mounting and connection

For DIN B head or larger.

Large center hole (dia. 0.28"/7mm).

Functions:

Input for RTDs and T/Cs

Reduced inventory costs.

Simplified plant engineering.

True on-line communication

Full access to all features while in operation.

Output

4-20mA temperature linear 2 wire loop.

Warranty:

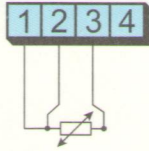
5 year limited warranty



RTD

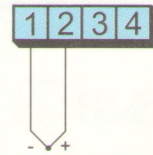
Pt100 ($\alpha=0.00385$), D100 ($\alpha=0.003916$)

3-wire connection



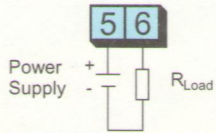
Thermocouple

B,E,J,K,N,R,S,T,U

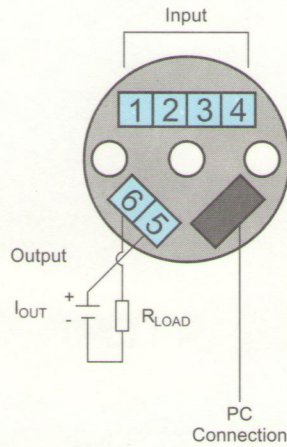


INPUTS

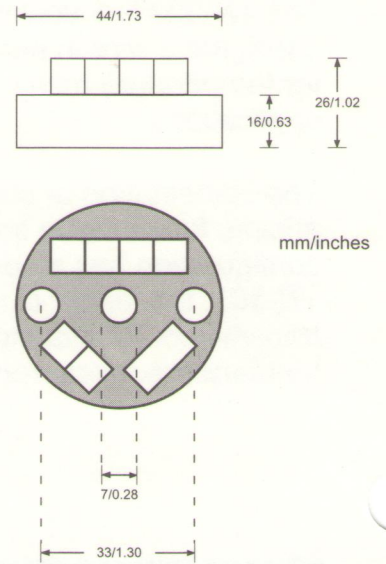
4-20 mA Output



Connections

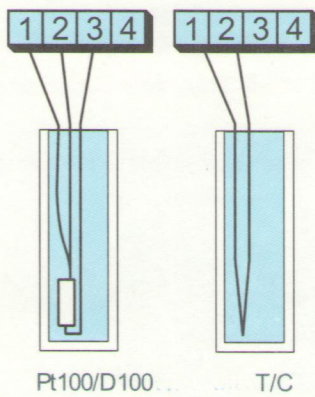


Dimensions



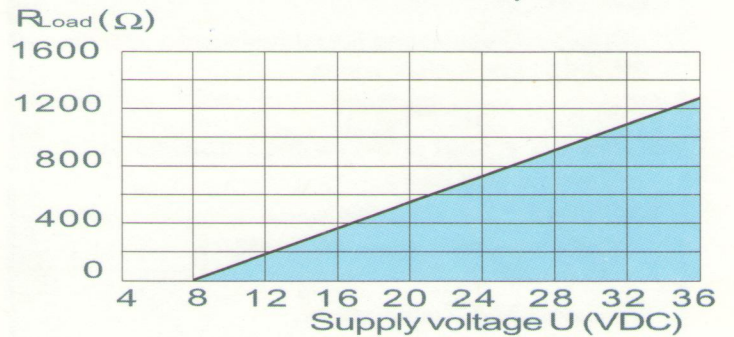
OUTPUTS

CONNECTION EXAMPLE



RTD

Permissible R_{Load} at 22 mA output



$$R_{Load} = (U - 8) / 0.022$$

Distributed By: